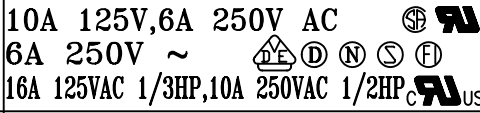
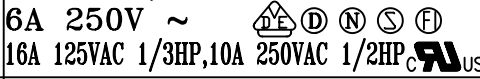
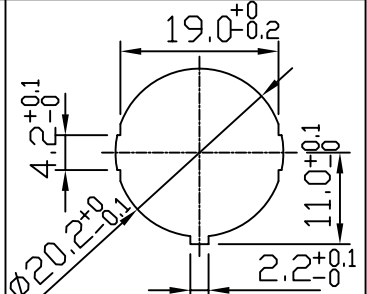
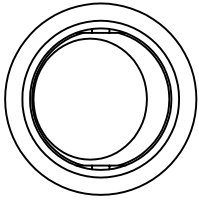
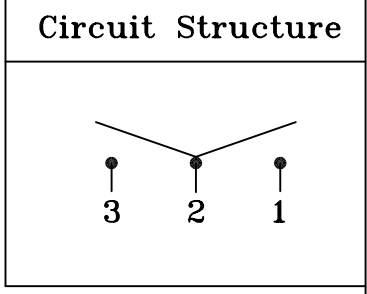


Rating	10A 125V, 6A 250V AC 6A 250V ~ 16A 125VAC 1/3HP, 10A 250VAC 1/2HP		Mount Hole
Contact R	50m ohm Max.		
Insulation R	DC 500V 100M ohm Min.		
Dielectric Strength	AC 1500V 1 minute		
Operation Temperature	-20°C~85°C		
Circuit	3P SPDT ON-OFF-ON		

Thickness: 2.0~3.0

Thickness: 0.7~3.0



3.8±0.5<0.15>

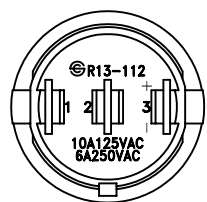
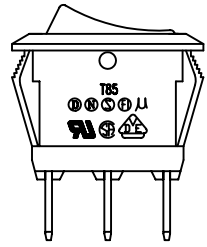
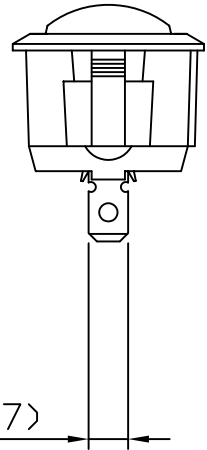
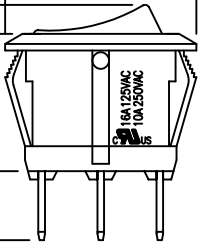
∅23.0±0.3<∅0.906>


16.5±0.3<0.65>

8.3±0.5<0.327>

7.1±0.3<0.28>

4.75±0.1<0.187>



Unit	mm (inch)	DEL CITY P/N	7500022	REV.	1	
------	--------------	--------------	---------	------	---	---