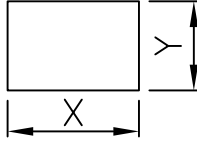
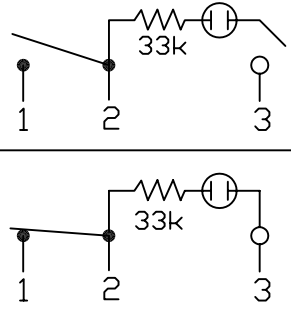
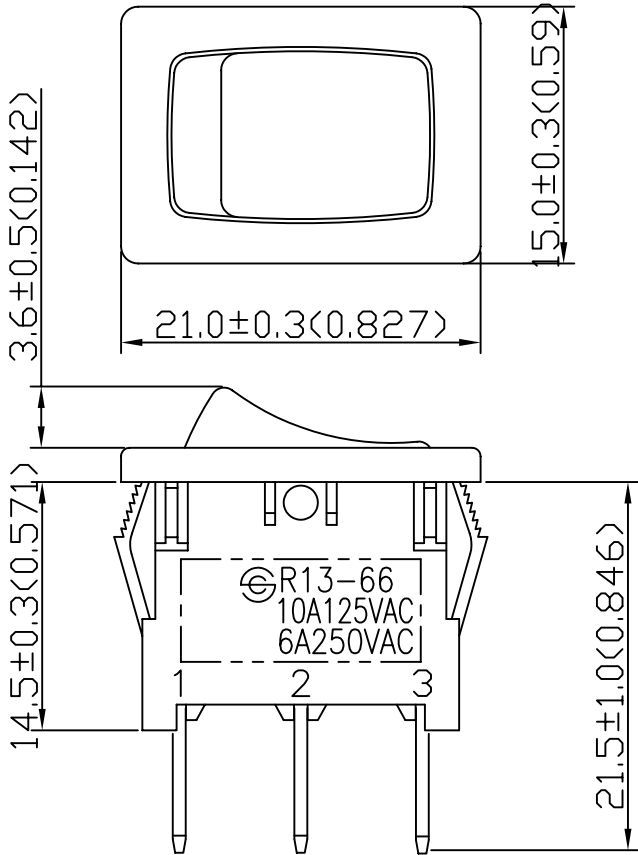
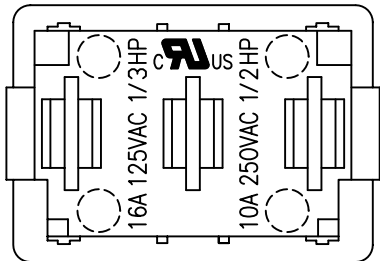
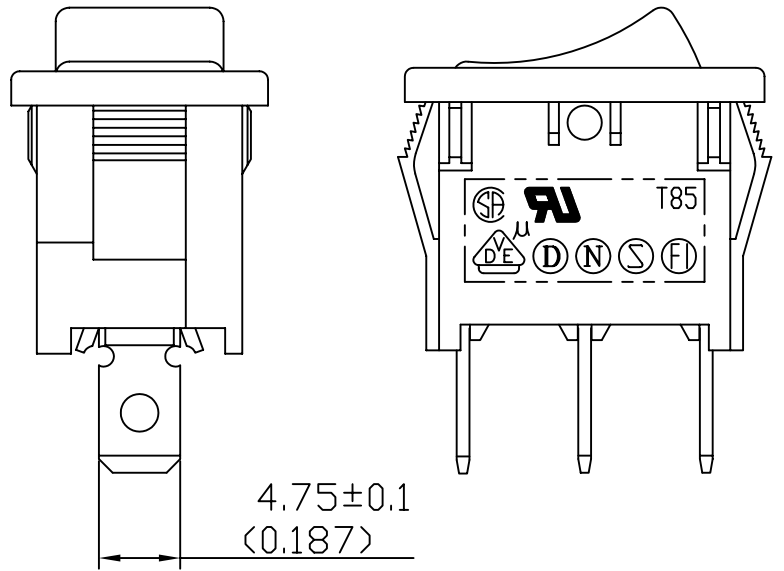


Rating	16A 125VAC 1/3HP	Mount Hole	Circuit Structure											
Contact R	50m ohm Max.													
Insulation R	DC 500V 100M ohm Min.													
Dielectric Strength	AC 1500V 1 minute	<table border="1"> <thead> <tr> <th>Thickness</th> <th>X</th> <th>Y</th> </tr> </thead> <tbody> <tr> <td>0.75...1.25</td> <td>19.2-0.1</td> <td>13.2+0.1</td> </tr> <tr> <td>1.25...2</td> <td>19.4-0.1</td> <td>13.2+0.1</td> </tr> <tr> <td>2...3</td> <td>19.8-0.1</td> <td>13.2+0.1</td> </tr> </tbody> </table>	Thickness	X	Y	0.75...1.25	19.2-0.1	13.2+0.1	1.25...2	19.4-0.1	13.2+0.1	2...3	19.8-0.1	13.2+0.1
Thickness	X		Y											
0.75...1.25	19.2-0.1		13.2+0.1											
1.25...2	19.4-0.1	13.2+0.1												
2...3	19.8-0.1	13.2+0.1												
Operation Temperature	-20°C~+85°C													
Circuit	3P SPST ON-OFF(Illuminated)													



ROCKER: RED
HOUSING: BLACK



Unit	mm (inch)	P/N	7500004	REV.	1
------	--------------	-----	---------	------	---