



# ME A SERIES MINI LIGHT LIMIT SWITCHES

## ◆ FEATURES/功能

- Total plastic enclosure, light weight switches. / 塑膠外殼重量輕
- Wide choice of heads and actuators. / 可配合各種不同之連桿及頭
- Captive cover screws. / 接線頭具備式覆蓋螺絲
- Mode of operation is filed adjustable. / 可調式
- Dustproof, Oil-Tight, Water-Resistant. / 防塵、防油、防水
- 2 circuits: 1 N.O., 1 N.C. contacts design. / 雙迴路1 N.O., 1 N.C.設計
- Tempe. range +5°F to +160°F(-15°C to +70°C). / 適用溫度



## ◆ CHARACTERISTICS/特性

Operating speed	0.5mm to 50m/sec
Operating frequency	Mechanically: 120 operations/min. Electrically: 30 operations/min.
Contact resistance	15m Ω max. (initial)
Insulation resistance	100M Ω min. (at 500 V DC)
Dielectric strength	1,000 VAC, 50/60 Hz for 1 minute between non-continuous terminals 1500 VAC, 50/60 Hz for 1 minute between each terminal and non-current carrying metal part and between each terminal and ground
Vibration	Malfunction durability: 10 to 55Hz; 1.5mm double amplitude
Shock	Mechanically durability: Approx. 1,000m/sec <sup>2</sup> (approx. 100G's) Malfunction durability: Approx. 300m/sec <sup>2</sup> (approx. 30 G's)
Ambient temperature	Operating: -15°C to +70°C
Humidity	95% RH max
Service life	Mechanically: 10,000,000 operations min Electrically: 500,000 operations min.
Degree of protection	IEC 529 class IP65

## ◆ FILED ADJUSTABLE

Rotary motion roller lever and rod actuators are adjustable through 360°. They may be set for operation clockwise, counter-clockwise, or in both directions. Operating heads may be positioned in any of four 90° and four 45° positions.

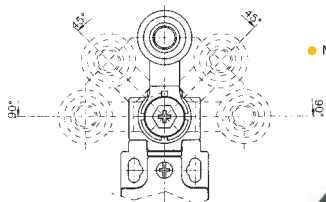
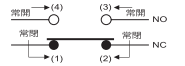
## ◆ EASY WIRING

1. Loosen cover screws and remove cover.
2. Remove rubber strain relief from switch cover.
3. Slip strain relief cover cable.
4. Fasten terminal screws tightly after inserting cables or terminals.
5. After wiring, insert strain relief into the groove of the switch cover.
6. Fasten 3 cover screws evenly. Do not over tighten.
7. Recommended Cable- # 18/2 SJT Flexible.

## ◆ RATING/額定

6A	125 or 250V AC
0.4A	125V DC

## ◆ CIRCUITRY/電氣回路



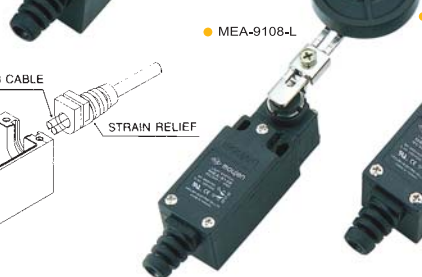
FIVE OPERATING POSITIONS AVAILABLE



ME A-9111



ME A-9104



ME A-9108-L



ME A-9104-G



ME A-9107

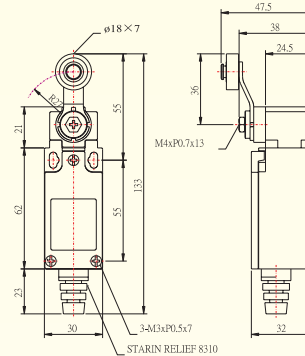


ME A-9108

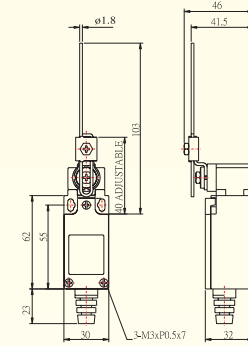
# ORDER GUIDE

## DIMENSIONS (mm)

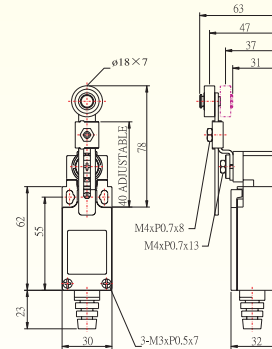
### ● ME A-9104



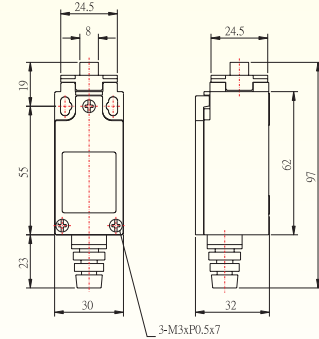
### ● ME A-9107



### ● ME A-9108



### ● ME A-9111



## OPERATING CHARACTERISTICS

	ME A-9104
OF MAX	300g
RF MIN	100g
PT MAX	20°
OT MIN	50°
DT MAX	12°
TT MIN	70°

	ME A-9107
OF MAX	100g
RF MIN	40g
PT MAX	20°
OT MIN	50°
DT MAX	12°
TT MIN	70°

	ME A-9108
OF MAX	100g
RF MIN	40g
PT MAX	20°
OT MIN	50°
DT MAX	12°
TT MIN	70°

	ME A-9111
OF MAX	500g
RF MIN	150g
PT MAX	2.0mm
OT MIN	4.0mm
DT MAX	10mm
TT MIN	5mm



► MEA SERIES MINI LIGHT LIMIT SWITCHES

◆ ORDER GUIDE

● Standard type: 標準型

MEA-9104	MEA-9107	MEA-9108	MEA-9111	MEA-9112
MEA-9122	MEA-9161	MEA-9166	MEA-9169	

● Flat tail (G) type: 平底 (G)型

MEA-9104G	MEA-9107G	MEA-9108G	MEA-9111G	MEA-9112G
MEA-9122G	MEA-9161G	MEA-9166G	MEA-9169G	

● Ø50mm rubber's roller (Custom made): 50mm橡膠滾輪 (訂製品)

MEA-9104-L | MAE-9108-L

● Plastic roller (Custom made): 塑膠滾輪 (訂製品)

MEA-9111-P | MEA-9112-P | MEA-9122-P

● Metal head (Custom made): 金屬頭部 (訂製品)

MEA-9112-Z | MEA-9122-Z

● Pre-Cable type (Custom made): 預附電纜型式 (訂製品)

MEA-9104A-□	MEA-9107A-□	MEA-9108A-□	MEA-9111A-□	MEA-9112A-□
MEA-9122A-□	MEA-9161A-□	MEA-9166A-□	MEA-9169A-□	

\* wiring in □ M cable/ 附 □ 米電纜線

◆ "G" type: Flat tail.平底型

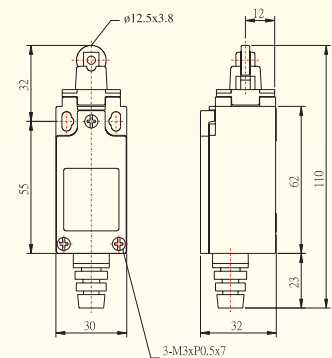


◆ Pre-cable type: 預附電纜型式

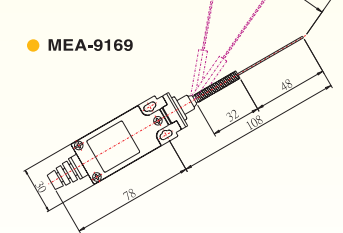
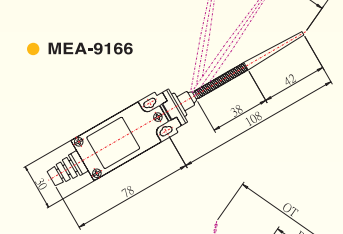
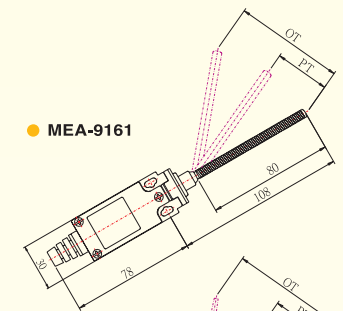
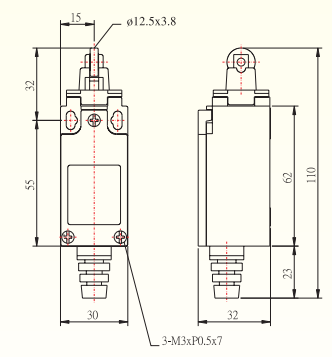


DIMENSIONS (mm)

● MEA-9112



● MEA-9122



OPERATING CHARACTERISTICS

	MEA-9112
OF MAX	500g
RF MIN	150g
PT MAX	2.0mm
OT MIN	4.0mm
DT MAX	1.0mm
TT MIN	5mm

	MEA-9161
OF MAX	60g
RF MIN	-
PT MAX	25°
OT MIN	50°
DT MAX	-
TT MIN	70°

	MEA-9169
OF MAX	60g
RF MIN	-
PT MAX	25°
OT MIN	50°
DT MAX	-
TT MIN	70°

	MEA-9122
OF MAX	500g
RF MIN	150g
PT MAX	2.0mm
OT MIN	4.0mm
DT MAX	1.0mm
TT MIN	5mm

	MEA-9166
OF MAX	60g
RF MIN	-
PT MAX	25°
OT MIN	50°
DT MAX	-
TT MIN	70°