

**P27-Series Pushbutton Switches**



The P27-Series pushbutton switches are single pole, AC rated switches suitable for general purpose applications with a shallow back panel. These switches are momentary action with a medium actuation force (26 oz. typical). The P27-Series switch is equipped with a slow-make, slow-break contact mechanism, rated at 6 amps with a nylon concave pushbutton.

**Dielectric Strength**

UL/CSA:  
1000V - live to dead metal parts

**Electrical Life**

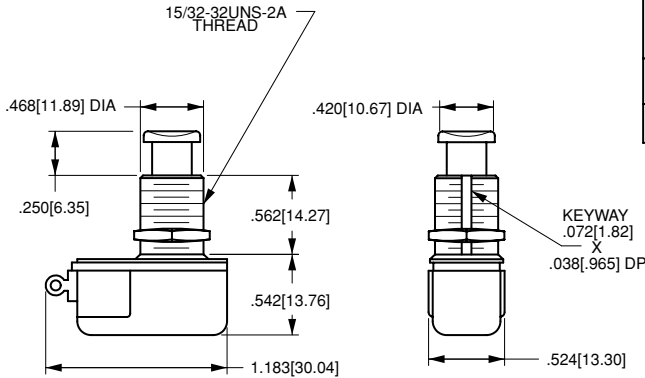
25,000 cycles

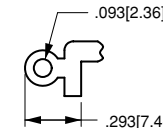
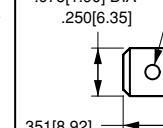
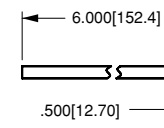
**Mechanical Life**

100,000 cycles

**Operating Temperature**

32°F to 85°F (0°C to +85°C)



 .093[2.36] DIA .293[7.44]	 .075[1.90] DIA .250[6.35] .351[8.92]	 6.000[152.4] .500[12.70]
SOLDER LUG	.250 TAB (Q.C.) (Momentary ON only)	INTEGRATED WIRE LEAD (no exposed conductors)
<b>TERMINAL TYPE</b>		



**P27A** - **BL**

1 Base Part Number      3 Button Color

**1 BASE PART NUMBER: SERIES/POLES/CIRCUITRY/RATING/TERMINATION**

Single Pole      solder lug      .250 tab      wire leads  
**3A 250VAC, 6A 125 VAC, 3/4A 125V**  
 OFF - (ON)      P27A      P27B      P27F  
 ON - (OFF)      P27L      -      P27T

**3 CONCAVE NYLON BUTTON COLOR**

**BL**      black  
**RD**      red  
**WH**      white

NOTES  
( ) Indicates momentary function.